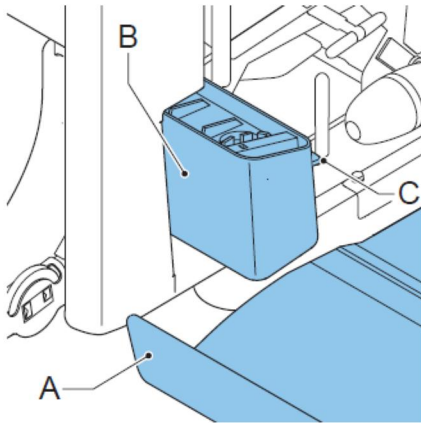


Filling the Sealing Liquid Reservoir

When you want to seal envelopes, the sealing liquid reservoir must be filled.



1. Open the front cover **A**.



2. Fill the reservoir **B** up to lip **C** with sealing liquid.
3. Close the front cover **A**

Before you start the job, wait approximately 5 minutes for the brushes to moisten.

If the liquid reservoir is almost empty the touchscreen shows a message to warn you that you should refill the reservoir.