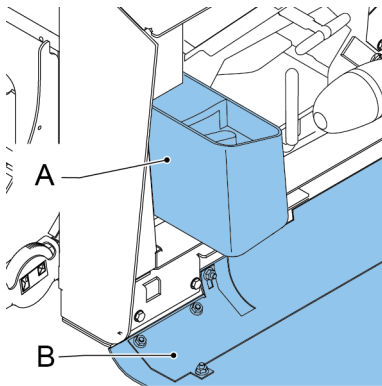


Fill the Sealing Liquid Reservoir



1. Open the front cover **B**.



2. Fill the reservoir **A** to the "Max" lip with sealing liquid.
3. Close the front cover **B**.

Before starting the job, wait approximately 5 minutes for the brushes to moisten or use moistened brushes. For instructions on the installation of brushes, see the User Guide, section Clean and replace brushes.