

# 9 Operator Maintenance

## Maintenance Schedule



Disconnect the mains power supply before performing any maintenance.

The user must not attempt to service the appliance beyond that described in this operator manual. All other servicing must be carried out by qualified service personnel only.

Please contact your authorized distributor.

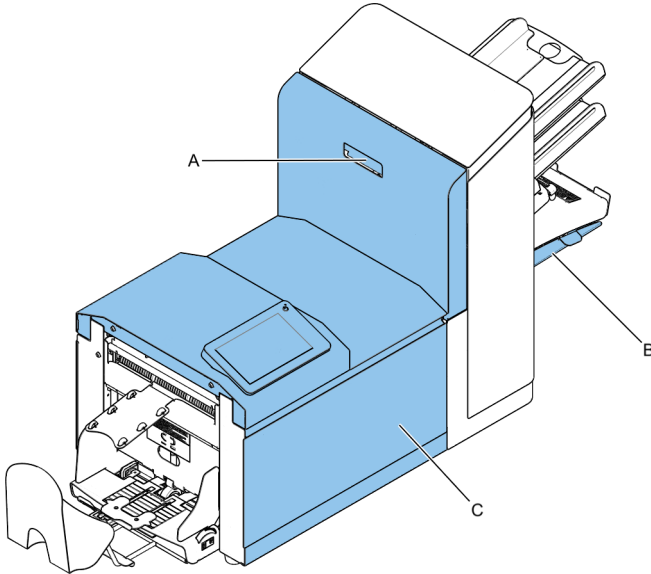
Maintenance frequency	Maintenance
Daily	<ul style="list-style-type: none"><li>• Check the system functions.</li><li>• Keep the system in proper condition by removing dust, paper remains, etc.</li></ul>
Weekly	<p>The machine is delivered with an extra set of brushes. To always have one clean set available, it is recommended to soak one set in water and use the other set.</p> <ul style="list-style-type: none"><li>• When dirty or saturated, clean the brushes of the envelope sealing or replace them (see <a href="#">Clean and replace brushes</a> on page 96).</li><li>• When dirty or saturated, clean the moistening cloth or replace if necessary (see <a href="#">Replace moistening cloth</a> on page 97).</li><li>• Clean feed and insert rollers as instructed by the Service Engineer.</li></ul>
When necessary	<p>When the display warns about dusty sensors, clean the applicable sensors. After cleaning, always calibrate the photocells (see <a href="#">Calibrate photocells</a> on page 98).</p>

## Clean and Replace Brushes

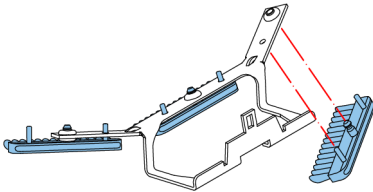
---

When dirty or saturated, clean the brushes of the envelope sealing or replace them as follows:

1. Moisten the new brushes in water.
2. Unlock lever **A** of the upper unit and pull up the upper unit.



3. Remove the brushes one by one by pulling them down from the brush holder.



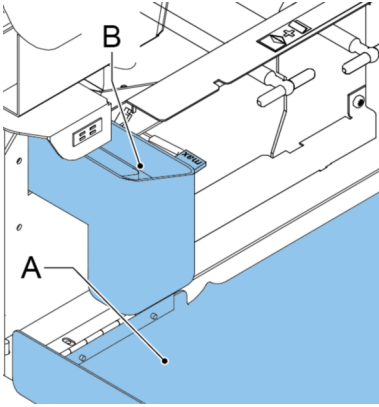
4. Replace the brushes. Make sure that the studs on the brushes are fitted in the corresponding holes in the brush holder.

# Replace or Clean Moistening Cloth

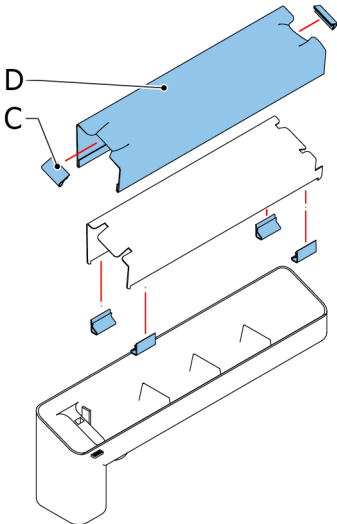
---

When dirty or saturated, clean the moistening cloth or replace if necessary. Proceed as follows:

1. Open the front cover **A**.



2. Remove the sealing liquid reservoir **B** from the system.
3. Remove the cover with moistening cloth **D**.

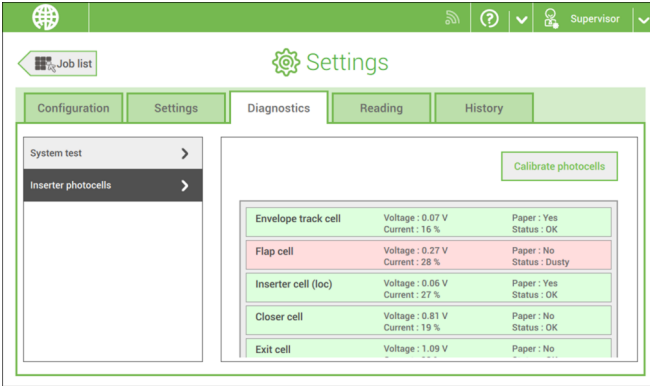


4. Remove clips **C** to remove the moistening cloth.
5. Clean or replace the cloth.

# Calibrate Photocells

When too much paper dust is built up at the sensors, a warning message is displayed. In that case, calibrate the photocells as follows:

1. Log in as supervisor.
2. In the settings menu, tap the **[Diagnostics]** tab.
3. Tap **[Maintenance]**.



4. Remove all documents and envelopes and close all covers before starting the calibration.
5. Tap **[Calibrate photocells]**.