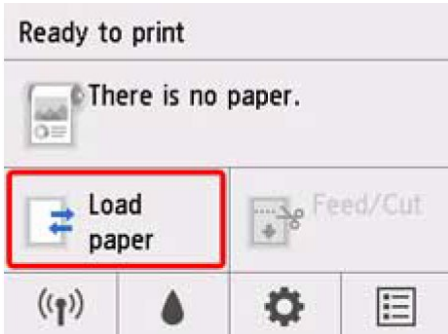


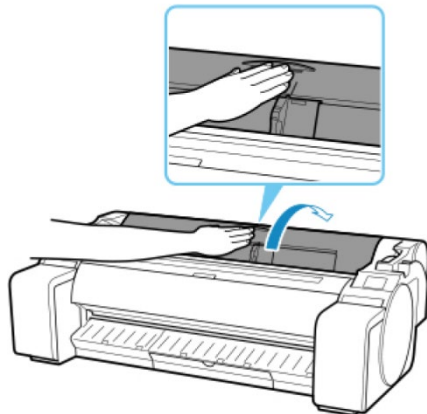
Changing Paper on Canon Wide Format TM Series:

Always load rolls when the printer is on to insure correct advancing.

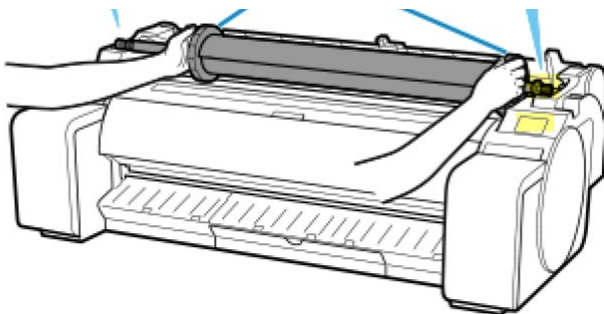
1. Tap Load paper or Replace paper on the home screen.



2. If the device has paper in it, a message will show to remove it. Follow the on-screen instructions.
3. Open the Roll paper cover.



4. Stand the holder on the floor with the right side end down, unlock the left end and load new roll on roll holder so that when the roll is in the machine, the paper will come over the top of the roll. Lock the roll onto the roll holder.
5. Load the roll into the machine, keeping the paper rolled as tightly as possible (*note, highlighted areas should both have an R for right).



6. Insert the edge of the roll in the feed slot and advance the paper until the feed tone can be heard.
If there is any error, you may need to adjust the release lever to straighten the paper

